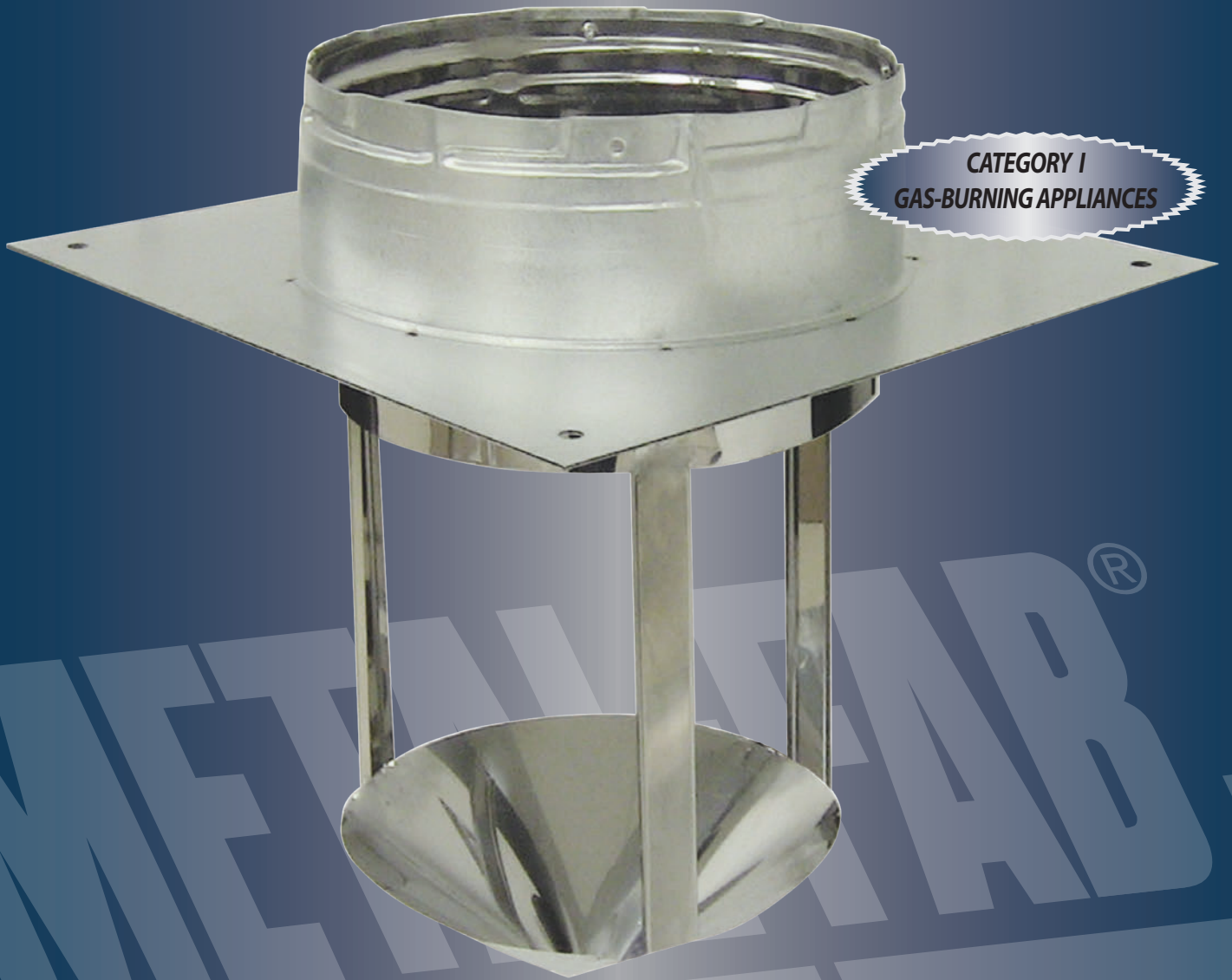


# B-VENT DRAFT DIVERTER

FOR USE WITH MASONRY FIREPLACES

Products  
Made in U.S.A.

CATEGORY I  
GAS-BURNING APPLIANCES



**FASTER. SAFER. BETTER.**

PREMIUM B-VENT  
PRODUCTS



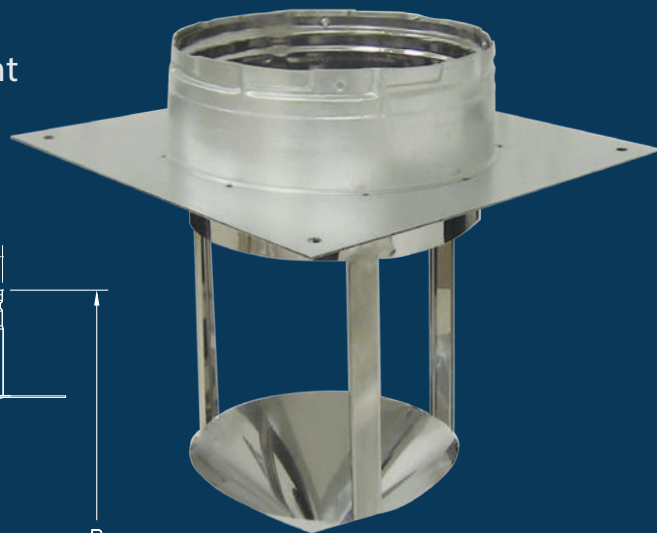
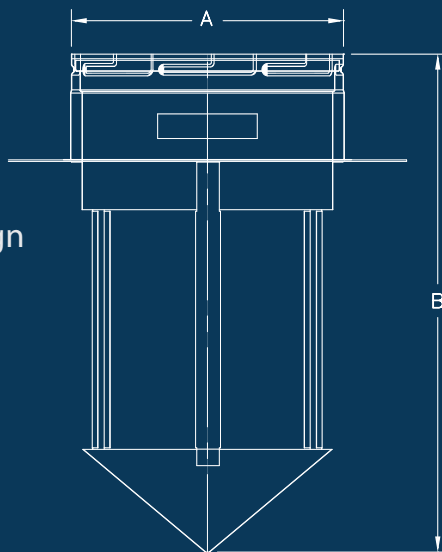
# B-VENT DRAFT DIVERTER



*FASTER. SAFER. BETTER.*

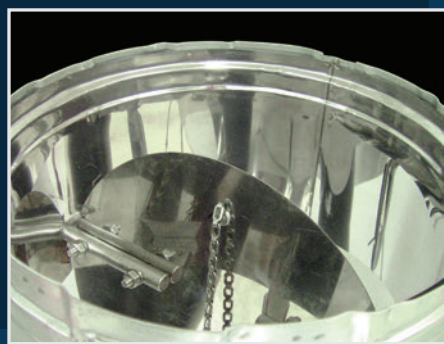
Designed specifically to adapt to new or existing pre-fabricated masonry fireplaces using Metal-Fab B-Vent products. For use with category I gas-fired appliances, Metal-Fab offers multiple sizes and configurations to meet a variety of applications.

- ▶ Diverts draft for category I gas burning appliances, preventing downdrafts and extinguishing of the appliance pilot light .
- ▶ Includes exclusive twist lock design for easy connection to Metal-Fab UL441 listed B-Vent.
- ▶ 430 Stainless Steel Flue
- ▶ Available with damper and pull chain in 10" diameter only.

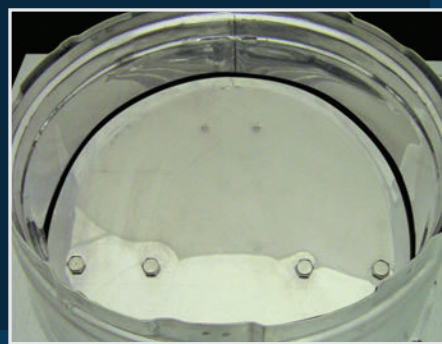


CAT NO.	A	B
10MDD	10.93"	20.00"
12MDD	12.93"	21.00"

\* Please contact factory for pricing and availability.



Diverter configurations are available with or without damper assembly, that is specified when order is placed.



Heavy-duty construction for maximum performance and durability.



Uniquely designed, our twist lock connection eliminates the need for sheet metal screws.

**1-2 DAY SHIPPING • ONE STOP VENT SHOPPING • 100% ORDER FILL**



P.O. Box 1138 • Wichita, Kansas 67201 • 1.800.835.2830 • FAX: 316.943.2717 • [www.mtlfab.com](http://www.mtlfab.com) • e-mail: [info@metal-fabinc.com](mailto:info@metal-fabinc.com)